

SPECIFICATIONS

SUBSEA MOTION SENSOR



Description

The Subsea Motion Sensor is a standalone high-performance Attitude and Heading Reference System (AHRS).

The sensor computes and outputs a real-time attitude solution that is continuous over a complete range of 360° motion.

It does also provide rate of turn measurement for all three axes.

Features

- Compact design
- Web browser configuration interface
- Depth rated to 4000m
- Continuous attitude solution
- Outputs rate of turn in all axes
- Magnetic 3 axis compass
- Modbus TCP/UDP protocol

SPECIFICATIONS

SUBSEA MOTION SENSOR

General Technical Specifications

Type		Subsea Motion Sensor
Dimensions w/connector	mm	134x100x100
Weight in air	g	~1840
Weights in water	g	~1180
Temperature Operational (ambient)	°C	-20 to +40
Temperature Storage	°C	-20 to +60

Electrical

Supply Voltage	VDC	24VDC (10-30)
Power Consumption	W	~5

Performance

Depth Rating	m	4000
Magnetic Heading accuracy	°	+/- 1 (when no external magnetic disturbances)
Attitude accuracy (Pitch/Roll)	°	+/- 0.5
Rate Gyro Range	°/s	+/- 2000
Accelerometer Range	g	+/- 16

Communication

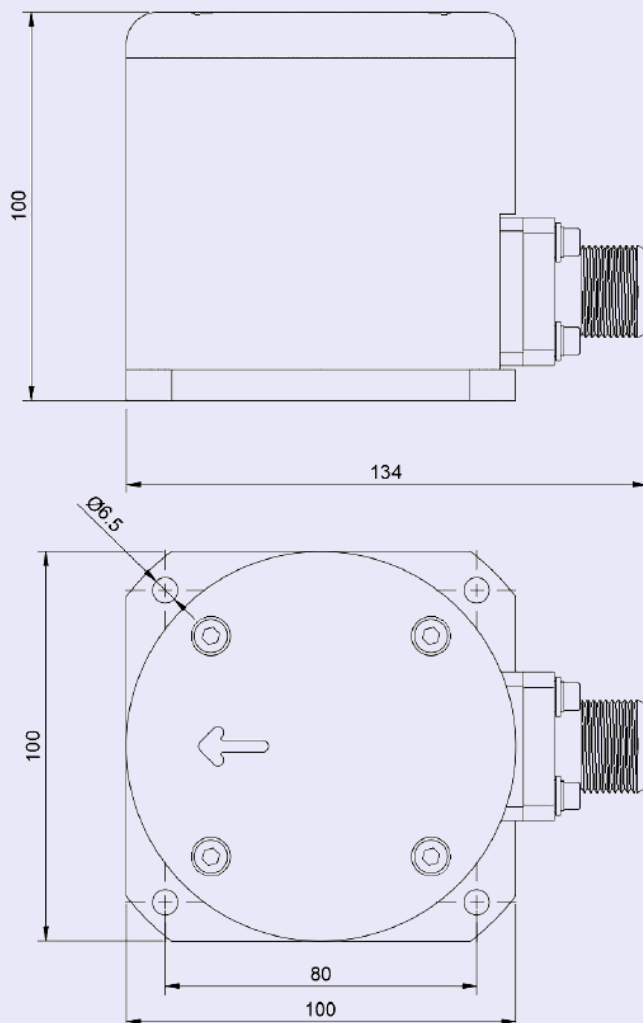
Ethernet	Mbps	10/100
Default IP		10.0.37.240

Ordering Part Numbers

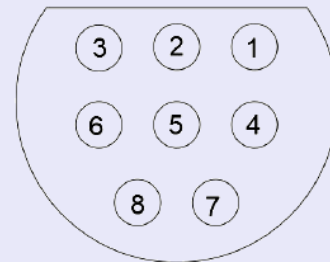
Description	Part Number
Subsea Motion Sensor	106601

SPECIFICATIONS

SUBSEA MOTION SENSOR



Face view



CONNECTOR: 5506-1508

- 1: 0V
- 2: 24VDC
- 3: NC
- 4: NC
- 5: ETHERNET TX+
- 6: ETHERNET TX-
- 7: ETHERNET RX+
- 8: ETHERNET RX-



I X X S